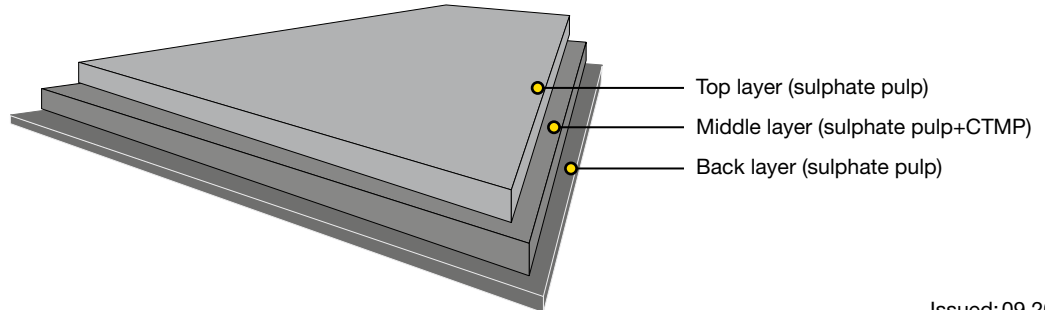


Trayforma is a bleached virgin-fibre board with a three layer fibre construction and with CTMP (chemi-thermomechanical pulp) in the middle layer.



Issued: 09.2023
Cancels: 11.2021

Technical specification

Property / Unit	Tolerance							Standard
		190	230	310	350	390	420	
Grammage, g/m ²	± 6 %	190	230	310	350	390	420	ISO 536
Thickness, µm	± 6 %	255	305	420	465	550	610	ISO 534
Bending resistance L&W 15° MD, mN	min -25%	100	160	420	550	800	1000	ISO 2493-1
Bending resistance L&W 15° CD, mN	min -25%	40	60	160	200	300	400	
Bending moment Taber 15° MD, mNm	min -25%	4.8	7.7	20.2	26.4	38.4	48.3	
Bending moment Taber 15° CD, mNm	min -25%	1.9	2.9	7.7	9.6	14.4	19.3	
Moisture, %	min 7.5%	9.5	9.5	9.5	9.5	9.5	9.5	ISO 287
Brightness D65/10, %, top		83	83	83	83	83	83	ISO 2470-2
Surface Smoothness, Bendtsen, ml/min, top	max + 28 %	250	250	300	320	450	600	ISO 8791-2
Surface Smoothness, Bendtsen, ml/min, reverse	max + 28 %	400	500	700	800	1000	1200	
Stretch CD, %		6.0	6.0	6.0	6.0	6.0	6.0	ISO 1924-3

OBA free

Certificates

Quality management ISO 9001
 Environmental management ISO 14001
 Product safety FSSC 22000
 Occupational health and safety ISO 45001
 Energy management ISO 50001



FSC and PEFC certified board available upon request.



Industrially compostable according to EN 13432 standard.



Home compostable according to TÜV Austria's Home composting certification scheme.



Industrial compostable according to ASTM 6868 standard.



Paperboard can be recycled

Key characteristics and main enduses

Trayforma is an eco-friendly high-quality board specially designed for pressed and folded trays, which have high requirements for formability. Trayforma is food-safe, ecological as a renewable material, and works exceptionally well in tray pressing. Trayforma delivers excellent results in flexographic and offset printing to showcase brands. It's easy convertability and stability offers many opportunities for shelf differentiation.

Printing and finishing techniques

The product can be used for flexo and offset printing. It is important to ensure that also the ink and varnish to be used are suitable for high temperatures in the oven use. It is important to check possible limitations of the printing and converting equipment and ensure that the basis weight of the board fits the tooling to be used.

Storage recommendations

For optimal printing results, the moisture proof wrapping should not be removed until the board has reached the temperature of the press room.

Pallet/Reel Weight (kg)	Difference in temperature between board and press room (press room temp. approx. 20°C)		
	10°C	20°C	30°C
400 kg	2 days	2 days	3 days
800 kg	2 days	3 days	4 days
1200 kg	2 days	4 days	5 days

The product properties, according to the specifications, are guaranteed for 12 months after the production date. In order to ensure product safety, the product must be well wrapped and stored indoors, sheltered from rain and snow. The recommended storage conditions are 50-55% relative humidity and 20-23°C.